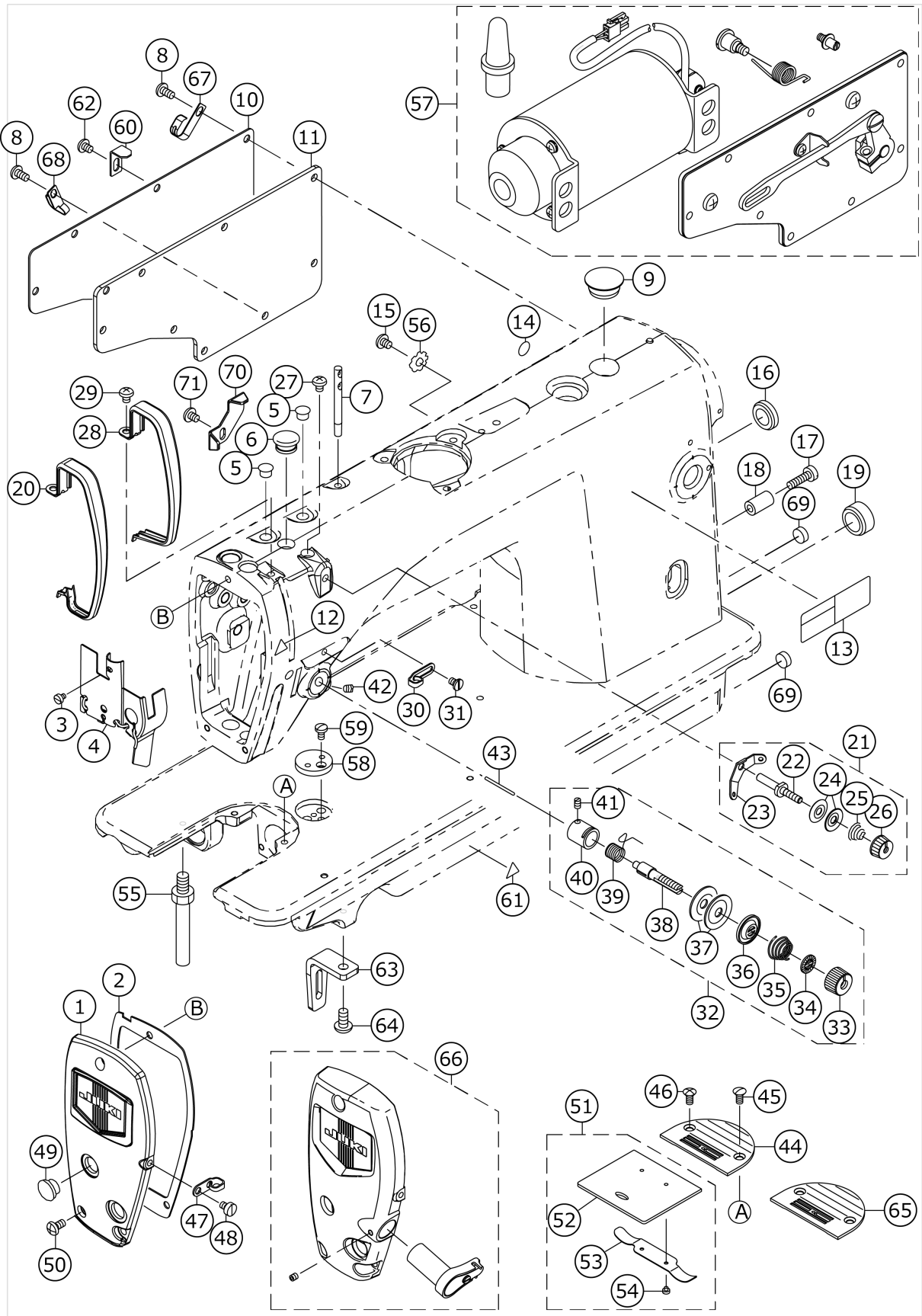


DDL-900BB

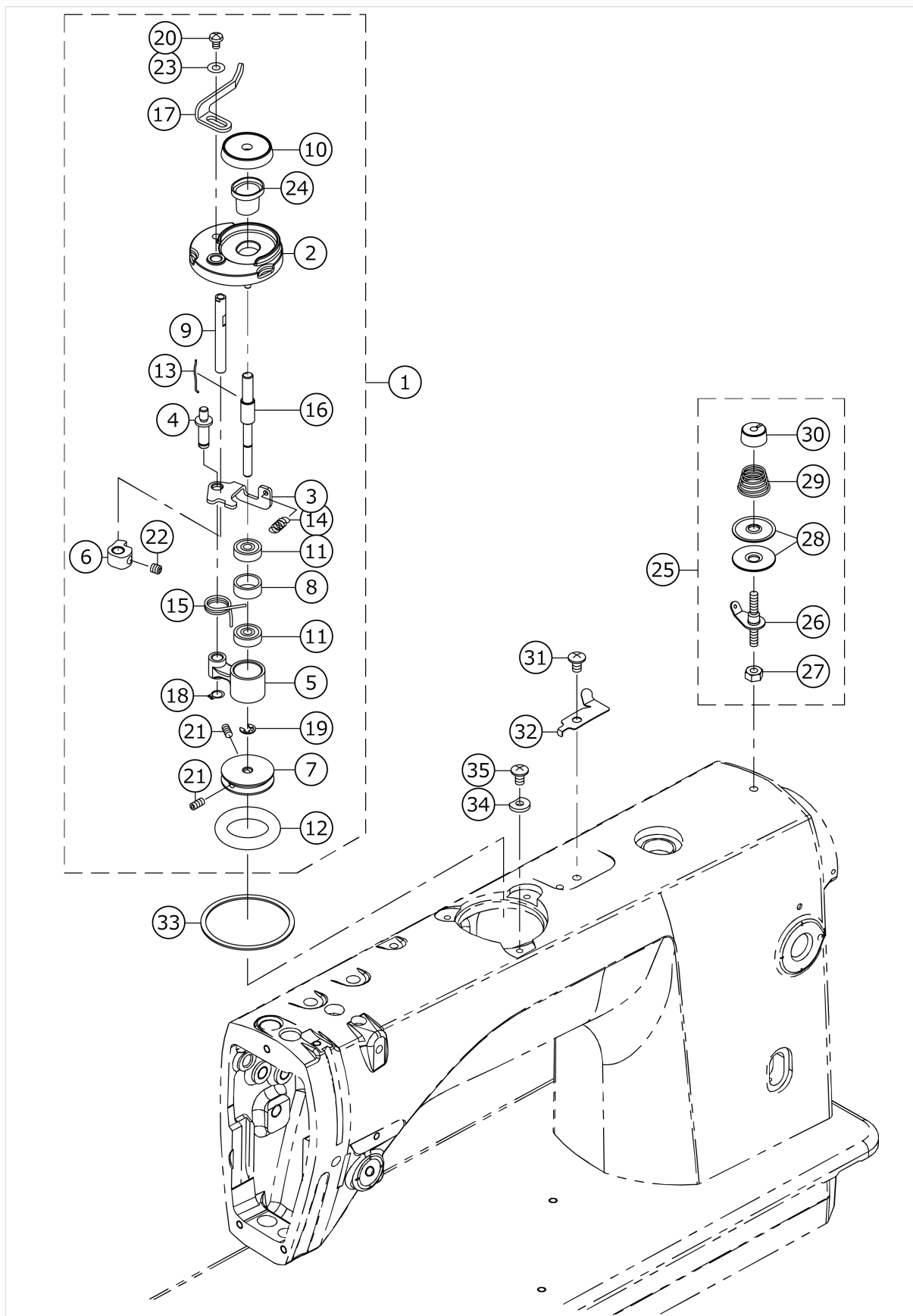
FRAME & MISCELLANEOUS COVER COMPONENTS



No.	品番	品名	備考	子部品	消耗品	個数
1	40102097	FACE_PLATE_ASM.				1.00
2	40012126	FACE PLATE PACKING				1.00
3	SS6080410SP	SCREW 1/8-44 L=4				1.00
4	40156677	ARM OIL SHIELD ASSY				1.00
5	TA0850604R0	RUBBER PLUG				2.00
6	TA1250705R0	RUBBER PLUG				1.00
7	22958300	NEEDLE THREAD GUIDE PIN				1.00
8	SS4120925SP	SCREW 3/16-28 L=9				8.00
9	TA2100904R0	RUBBER PLUG				1.00
10	22900401	WINDOW PLATE				1.00
11	40012129	SIDE PLATE PACKING				1.00
12	CM300200001	FINGER INJURY CAUTION LABLE (16)				1.00
13	40102261	SAFETY_LABEL_S				1.00
14	22901805	GROUND MARK				1.00
15	SS4120615SP	SCREW 3/16-28 L=6				1.00
16	TA2000502R0	RUBBER PLUG				1.00
17	SS6121840SP	SCREW 3/16-28 L=18				1.00
18	22952501	BACK LEVER STOPPER				1.00
19	TA2101002R0	RUBBER PLUG				1.00
20	40190685	THREAD TAKE UP LEVER COVER BB	VARIOUS NOS. F OR DESTINATION S			1.00
21	22963458	THREAD TENSION ASM.				1.00
22	22945414	THREAD TENSION POST		*		1.00
23	22945604	THREAD TENSION GUIDE		*		1.00
24	22945802	THREAD TENSION DISK		*		2.00
25	22963409	THREAD TENSION SPRING		*		1.00
26	22945703	THREAD TENSION NUT		*		1.00
27	SS4120615SP	SCREW 3/16-28 L=6				1.00
28	22900609	THREAD TAKE-UP LEVER COVER	VARIOUS NOS. F OR DESTINATION S			1.00
29	SS4120615SP	SCREW 3/16-28 L=6				1.00
30	22920508	ARM THREAD GUIDE A				1.00
31	22921001	SCREW				1.00
32	22945356	THREAD TENSION ASM.				1.00
33	22921308	THREAD TENSION NUT		*		1.00
34	22921407	ROTATION STOPPER		*		1.00
35	22921704	THREAD TENSION SPRING A		*		1.00
36	22921803	DISK STOPPER		*		1.00
37	22921506	THREAD TENSION DISK		*		2.00
38	22921209	THREAD TENSION POST		*		1.00
39	22921605	THREAD TAKE-UP SPRING		*		1.00
40	22945307	THREAD TENSION POST BASE		*		1.00
41	SS8090670SP	SCREW 9/64-40 L=5.5		*		1.00
42	SS8150710TP	SCREW 15/64-28 L=7				1.00
43	22920904	TENSION RELEASING				1.00
44	B1109552000	THROAT PLATE				1.00
45	SS2110920TP	SCREW 11/64-40 L=8.5				1.00
46	SS2110915SP	SCREW 11/64-40 L=8.5				1.00

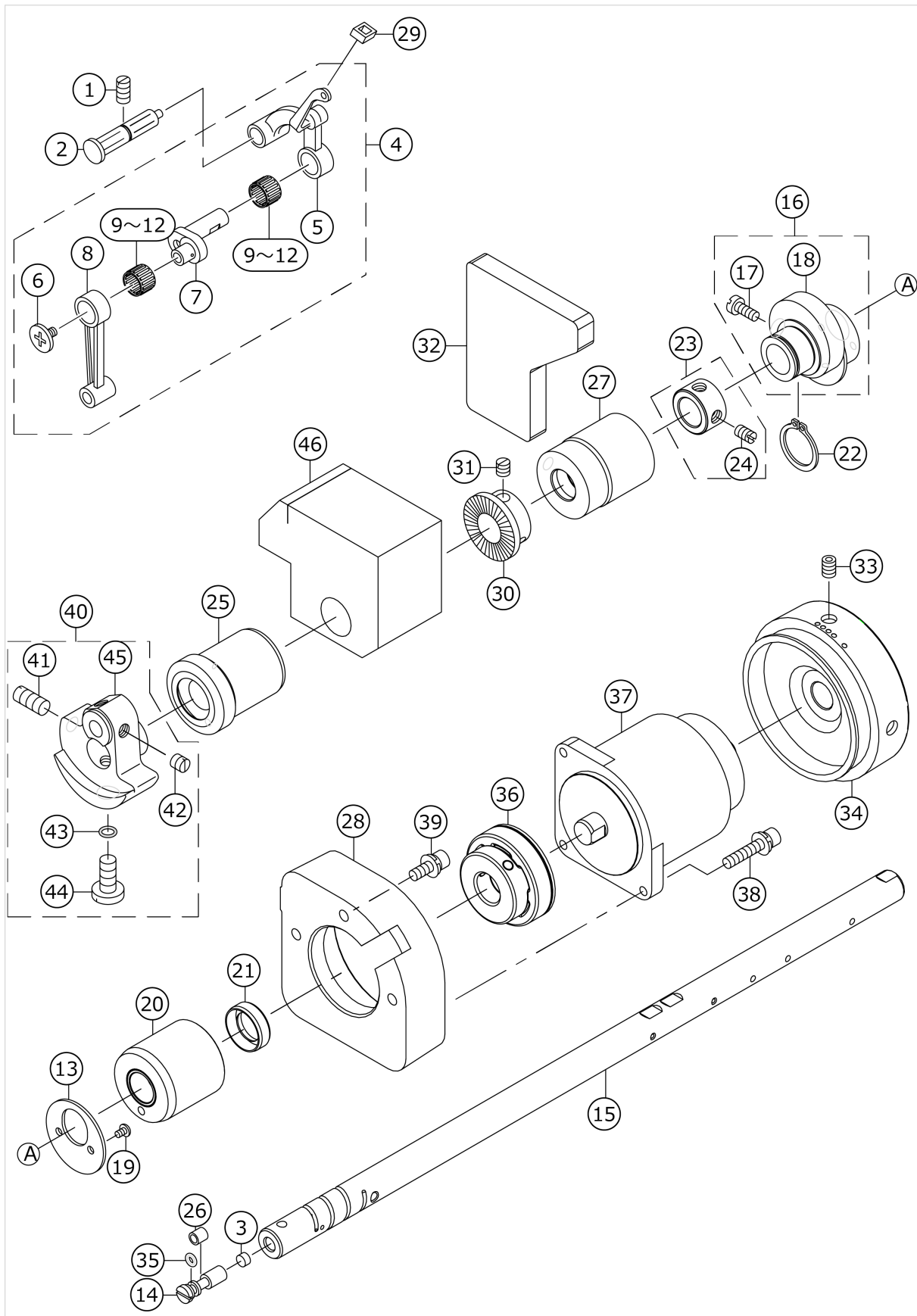
47	22920607	ARM THREAD GUIDE B				1.00
48	SS6110610TP	SCREW 11/64-40 L=6				1.00
49	TA1250406R0	RUBBER PLUG D=12.5 L=4				2.00
50	SS4120925SP	SCREW 3/16-28 L=9				3.00
51	22901250	SLIDE PLATE ASM.				1.00
52	22901201	SLIDE PLATE		*		1.00
53	22901300	SLIDE PLATE SPRING		*		1.00
54	SS6060210SP	SCREW 3/32-56 L=1.9		*		2.00
55	22901003	BED SCREW STUD				3.00
56	WT0530002KS	TOOTHED WASHER D=5.3				1.00
57	40188851	AK85B_DEVICE_900B	OPTIONAL PARTS			1.00
58	40099083	RULER STOP SEAT				1.00
59	SS7110720SP	SCREW 11/64-40 L=7				1.00
60	40126308	CORD_CLAMP				1.00
61	CM300200001	FINGER INJURY CAUTION LABEL (16)				1.00
62	SS4120615SP	SCREW 3/16-28 L=6				1.00
63	40196832	BED_STD_R				1.00
64	SS4151215SP	SCREW 15/64-28 L=12				1.00
65	40182291	THROAT_PLATE_G	OPTIONAL PARTS			1.00
66	40140080	FACE_PLATE_ASSY	OPTIONAL PARTS			1.00
67	40136258	CORD HOLDER				1.00
68	40022407	CORD HOLDER				1.00
69	TA1030402R0	RUBBER PLUG D=10.3 L=4				2.00
70	40111896	CORD_CLAMP				1.00
71	SS4120615SP	SCREW 3/16-28 L=6				1.00

BOBBIN WINDER COMPONENTS



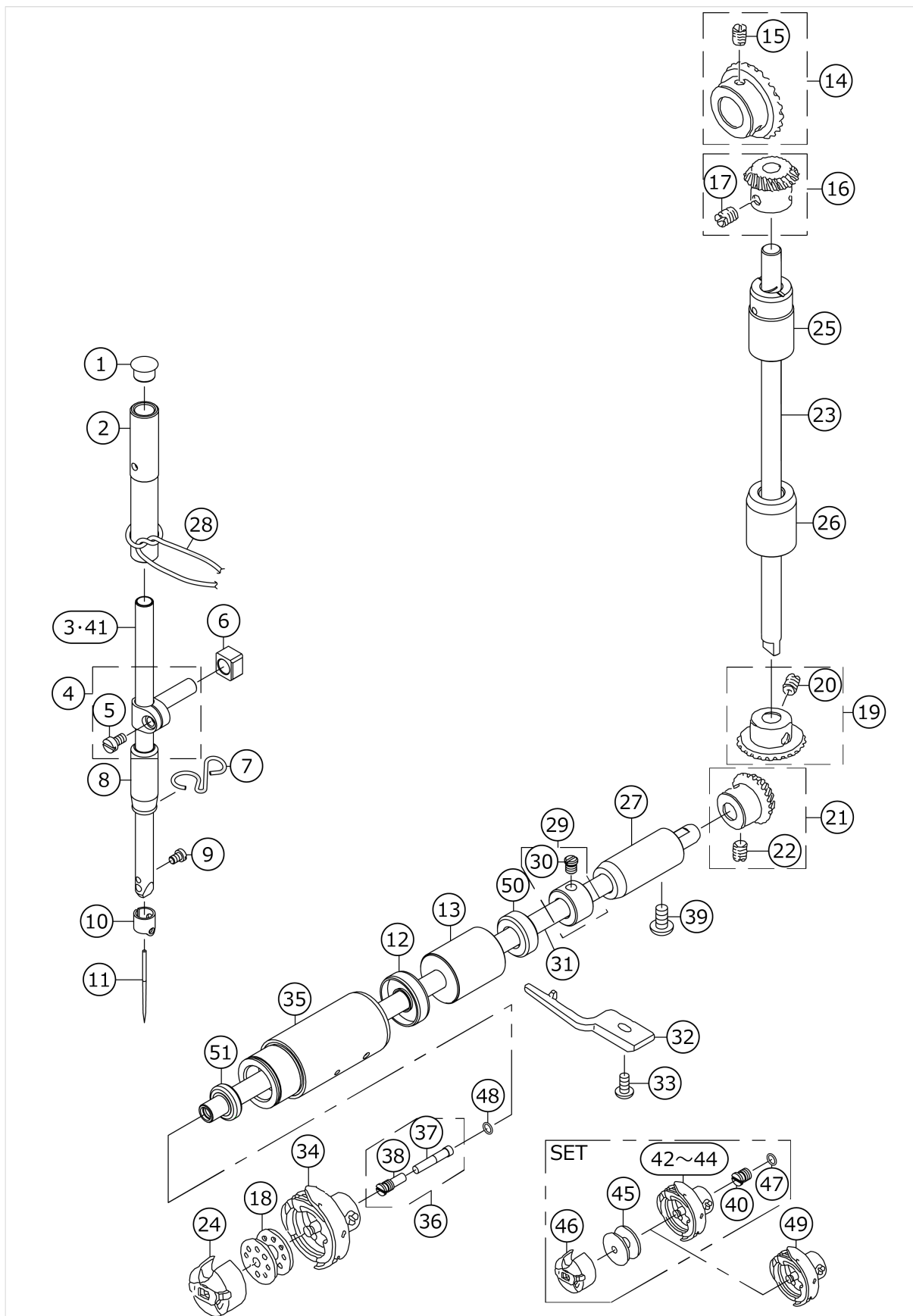
No.	品番	品名	備考	子部品	消耗品	個数
1	40110976	BOBBIN_WINDER_UNIT				1.00
2	26260109	BTW_BASE		*		1.00
3	26260208	BTW_CAM_PLATE		*		1.00
4	26260307	BTW_BASE_SHAFT		*		1.00
5	26260406	BTW_SHAFT_BASE		*		1.00
6	26260505	BTW_CAM_LEVER		*		1.00
7	26260604	BTW_WHEEL		*		1.00
8	26260802	BTW_BEARING_SPACER		*		1.00
9	26261008	BTW_LEVER_SHAFT		*		1.00
10	26261206	BTW_SPACER		*		1.00
11	26261305	BTW_BEARING		*		2.00
12	26261503	BTW_WHEEL_RUBBER		*		1.00
13	26261602	BOBBIN_SPRING		*		1.00
14	26261701	BTW_SPRING		*		1.00
15	40011144	BTW_TORSION_SPRING		*		1.00
16	40110975	BTW_SHAFT		*		1.00
17	40021933	BTW_LEVER		*		1.00
18	RC0560711KP	RETAINING RING		*		1.00
19	RE0400000K0	E-RING 4		*		1.00
20	SM5040655SN	SCREW		*		1.00
21	SM8040802TP	SCREW M4X8		*		2.00
22	SM8050502TP	SCREW M5 L=5		*		1.00
23	WP0450826SC	WASHER 4.5X10X0.8		*		1.00
24	40119475	OIL_GUARD		*		1.00
25	40110731	BOBBIN_THREAD_TENSION_ASSY				1.00
26	40110734	BOBBIN_THREAD_ROD_ASSY		*		1.00
27	NS6120630SP	NUT 3/16-28		*		1.00
28	22921506	THREAD TENSION DISK		*		2.00
29	D7133555B00	CONNECTING ROD SPRING		*		1.00
30	22945703	THREAD TENSION NUT		*		1.00
31	SM0050801SC	SCREW				1.00
32	40037008	THREAD_CUTTER				1.00
33	40163521	PACKING				1.00
34	40113241	BTW SPACER				1.00
35	SM0050801SC	SCREW				3.00

MAIN SHAFT & THREAD TAKE-UP LEVER COMPONENTS



No.	品番	品名	備考	子部品	消耗品	個数
1	SS8151150TP	SCREW 15/64-28 L=10.5				1.00
2	22919559	THREAD TAKE-UP CRANK SHAFT ASM.				1.00
3	11002904	ROLLER FELT				1.00
4	22918072	THREAD TAKE-UP LEVER COMPL.				1.00
5	22918064	THREAD TAKE-UP LEVER ASM.		*		1.00
6	22918304	LEFT SCREW		*		1.00
7	22918106	NEEDLE BAR CRANK		*		1.00
8	22906606	NEEDLE BAR CRANK ROD		*		1.00
9	22918403	NEEDLE BEARING A	SELECTIVE PARTS	*		2.00
10	22918502	NEEDLE BEARING B	SELECTIVE PARTS	*		2.00
11	22918601	NEEDLE BEARING C	SELECTIVE PARTS	*		2.00
12	22918700	NEEDLE BEARING D	SELECTIVE PARTS	*		2.00
13	22910103	THRUST COLLAR				1.00
14	22903900	ADJUSTING PIN				1.00
15	40110977	MAIN_SHAFT				1.00
16	22910053	FEED DRIVE ECCENTRIC CAM ASM.				1.00
17	SS6661110SP	SCREW 1/4-40 L=11		*		2.00
18	22910004	FEED DRIVE ECCENTRIC CAM		*		1.00
19	SS4090615SP	SCREW 9/64-40 L=6				2.00
20	40110978	MAIN_SHAFT_BUSHING				1.00
21	40139216	OIL_SEAL				1.00
22	RC1850001KP	SNAP RING 18.5				1.00
23	40137504	THRUST_COLLAR_ASM				1.00
24	SS8660610TP	SCREW 1/4-40 L=6		*		2.00
25	22903207	MAIN SHAFT BUSHING FRONT				1.00
26	B1215552000	OIL ADJUSTING COLLAR				1.00
27	22903306	BUSHING INTERMEDIATE				1.00
28	40110979	MAIN_MOTOR_BASE_76				1.00
29	22919203	OIL PROTECTING RUBBER				1.00
30	22538805	DRIVING WHEEL				1.00
31	SS8660610TP	SCREW 1/4-40 L=6				2.00
32	40111424	FILTER				1.00
33	SM80608A2TP	SCREW M6 L=8				2.00
34	40200576	HAND_PULLEY				1.00
35	RO029180100	RUBBER RING				1.00
36	40111025	COUPLING_ASM.				1.00
37	40140419	SERVO MOTOR				1.00
38	SL6052592TN	BOLT				3.00
39	SL6051492TN	BOLT				3.00
40	40110390	COUNTER_WEIGHT_ASM.				1.00
41	SS8681650TP	SCREW 9/32-28 L=16		*		1.00
42	SS8660610TP	SCREW 1/4-40 L=6		*		2.00
43	RO044240100	RUBBER RING		*		1.00
44	SS7681650TP	SCREW 9/32-28 L=16		*		1.00
45	40110376	COUNTER_WEIGHT		*		1.00
46	40191470	FILTER				1.00

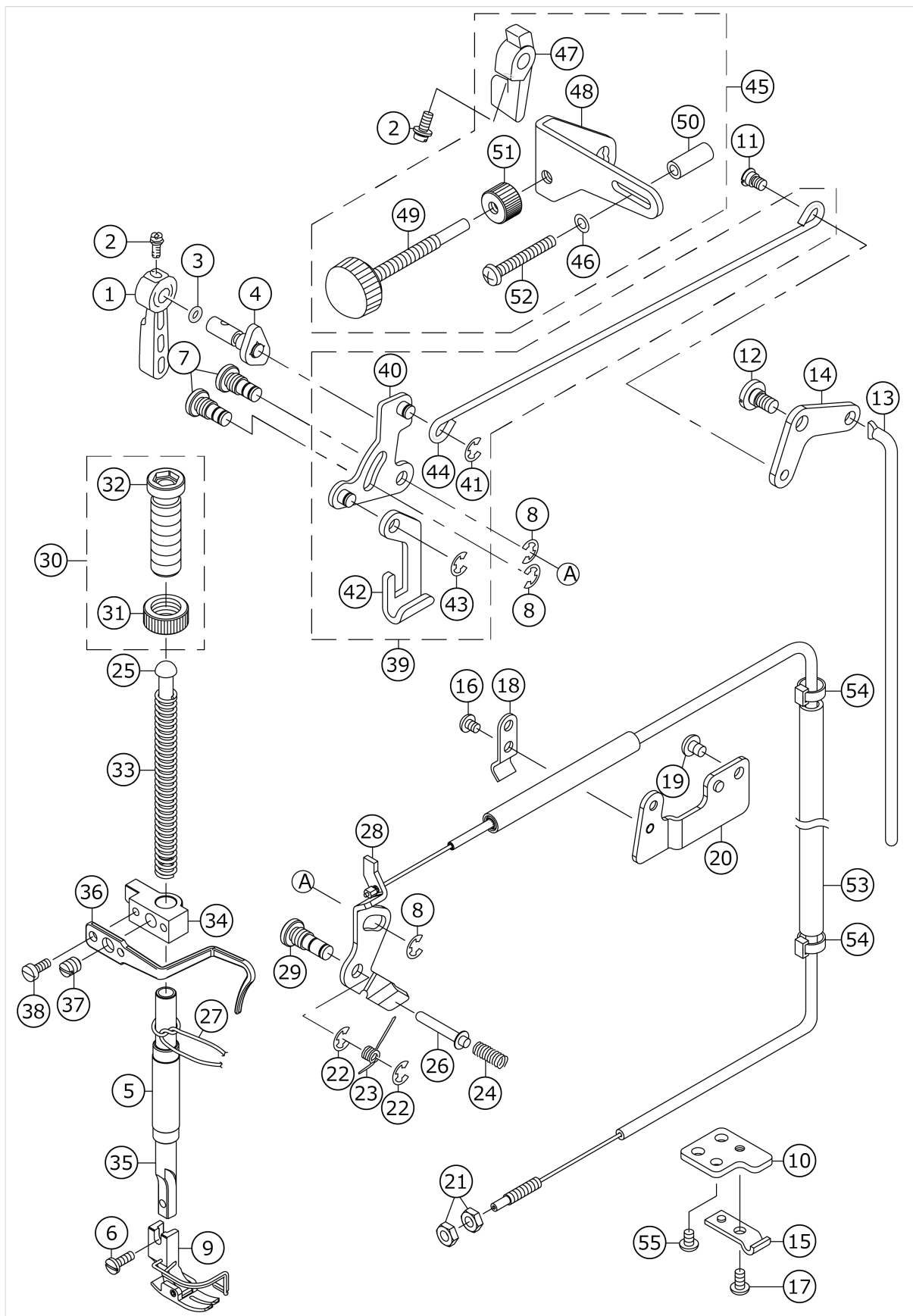
NEEDLE BAR, UPRIGHT SHAFT & HOOK DRIVING SHAFT COMPONENTS



No.	品番	品名	備考	子部品	消耗品	個数
1	TA0850604R0	RUBBER PLUG				1.00
2	22906101	NEEDLE BAR BUSHING UPPER				1.00
3	22939508	NEEDLE BAR				1.00
4	22906457	NEEDLE BAR HOLDER ASM.				1.00
5	SS6090670TP	SCREW 9/64-40 L=6		*		1.00
6	40090058	SLIDE BLOCK				1.00
7	40141523	NEEDLE BAR THREAD GUIDE P				1.00
8	22906200	NEEDLE BAR BUSHING LOWER				1.00
9	SS7080510TP	SCREW 1/8-44 L=4.5				1.00
10	22906309	NEEDLE BAR THREAD GUIDE				1.00
11	MDB100B1400	NEEDLE DBX1 #14				1.00
12	23620206	OIL SEAL				1.00
13	40184540	HOOK_SHAFT_MIDDLE_METAL				1.00
14	40090002	UPPER LARGE BEVEL GEAR ASM.				1.00
15	SS8660810TP	SCREW 1/4-40 L=8		*		2.00
16	40090003	UPPER SMALL BEVEL GEAR ASM.				1.00
17	SS8660810TP	SCREW 1/4-40 L=8		*		2.00
18	22932909	BOBBIN				1.00
19	40090004	LOWER LARGE BEVEL GEAR ASM.				1.00
20	SS8660810TP	SCREW 1/4-40 L=8		*		2.00
21	40090005	LOWER SMALL BEVEL GEAR ASM.				1.00
22	SS8660810TP	SCREW 1/4-40 L=8		*		2.00
23	22905004	UPRIGHT SHAFT				1.00
24	11038759	BOBBIN CASE ASM.				1.00
25	22905103	UPRIGHT SHAFT BUSHING UPPER				1.00
26	22905202	UPRIGHT SHAFT BUSHING LOWER				1.00
27	22916308	HOOK DRIVING SHAFT BUSH REAR				1.00
28	CQ220000000	OUL WICK				0.30
29	40136014	THRUST COLLAR ASM.				1.00
30	SS6110420TP	SCREW 11/64-40 L=4.8		*		2.00
31	40127192	HOOK_DRIVING_SHAFT				1.00
32	40174351	INNER_HOOK HOLDER				1.00
33	SS6111210SP	SCREW 11/64-40 L=12				1.00
34	11038650	HOOK ASM.				1.00
35	40190562	HOOK_SHAFT_FRONT_METAL_ASM				1.00
36	22916555	OIL SEAL SCREW ASM.				1.00
37	11015906	OIL WICK		*		1.00
38	22916506	SET SCREW		*		1.00
39	SS4120925SP	SCREW 3/16-28 L=9				1.00
40	11079506	FRONT SCREW	OPTIONAL PARTS			1.00
41	22939607	NEEDLE BAR B	ACCORDING TO D ESTINATIONS			1.00
42	22890404	RP HOOK C	OPTIONAL PARTS			1.00
43	22890206	RP HOOK	OPTIONAL PARTS			1.00
44	22890305	RP HOOK S	OPTIONAL PARTS			1.00
45	B9117552A00	BOBBIN	OPTIONAL PARTS			1.00
46	22896252	BOBBIN CASE ASM.	OPTIONAL PARTS			1.00
47	RO036080200	RUBBER RING	OPTIONAL PARTS			1.00
48	RO036080200	RUBBER RING				1.00
49	40126849	HOOK ASM.	OPTIONAL PARTS			1.00

50	40086744	HOOK DRIVING SHAFT OIL SEAL				1.00
51	40010805	OIL SEAL RING				1.00

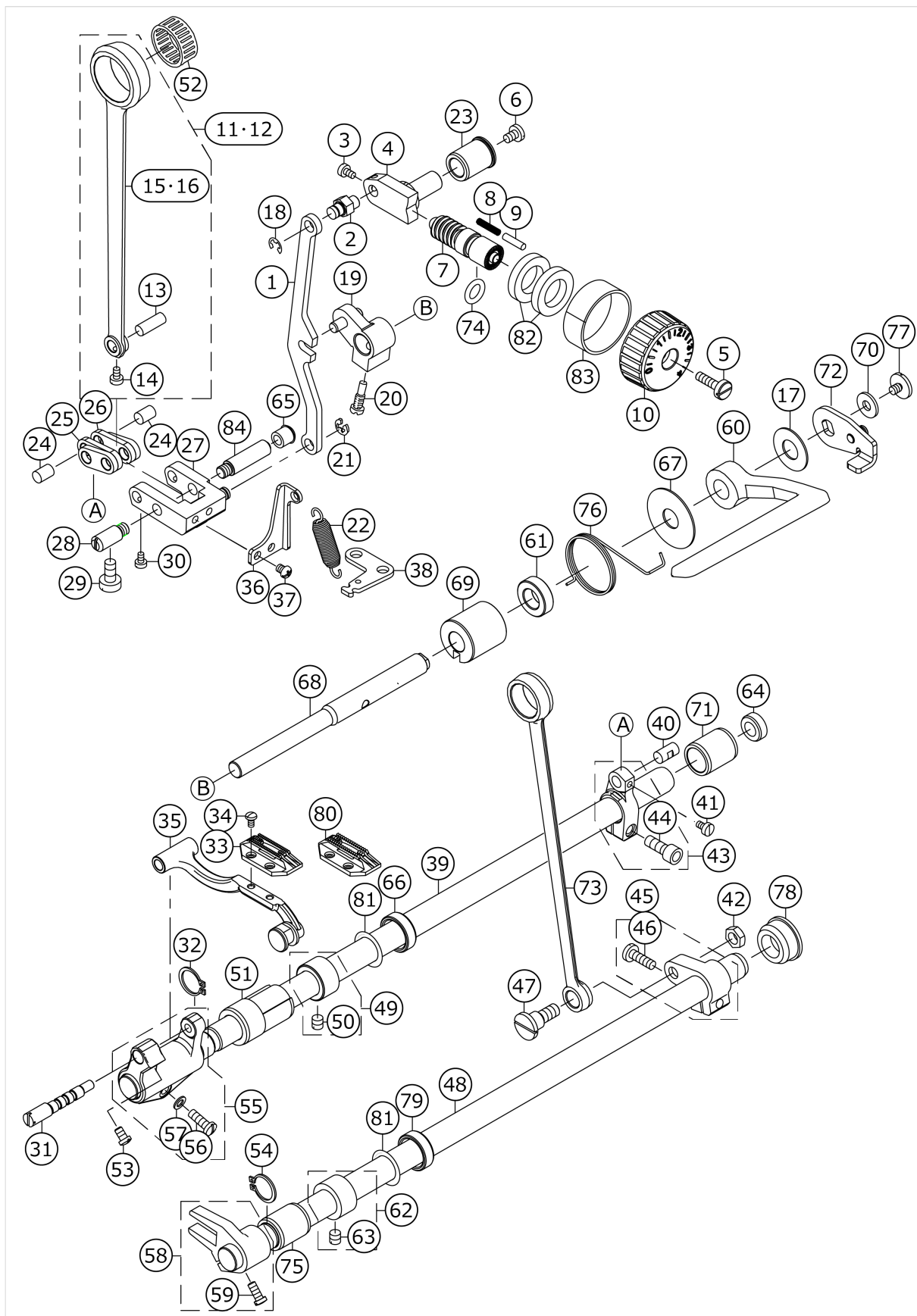
HAND LIFTER COMPONENTS



No.	品番	品名	備考	子部品	消耗品	個数
1	22907802	HAND LIFTER				1.00
2	B1521555000	SCREW				1.00
3	RO037180100	RUBBER RING				1.00
4	22908552	HAND LIFTER CAM ASM.				1.00
5	40060989	PRESSER BAR BUSHING LOWER				1.00
6	SS7091110TP	SCREW 9/64-40 L=10.5				1.00
7	22908701	LINK SHAFT				2.00
8	RE0500000K0	E-RING				3.00
9	B15240120BA	PRESSER FOOT ASM.				1.00
10	40050314	OUTER HOLDER_BASE				1.00
11	22908909	HINGE SCREW				1.00
12	SD0720331SP	HINGE SCREW D=7.24 H=3.3				1.00
13	22909006	KNEE LIFTER CONNECTING ROD				1.00
14	22908800	KNEE LIFTER LINK				1.00
15	D3164555B00	OUTER PRESSER PLATE				1.00
16	SS4110515SP	SCREW 11/64-40 L=5				1.00
17	SM4050855SP	SCREW				1.00
18	40186696	WIRE HOLDER				1.00
19	SS4120615SP	SCREW 3/16-28 L=6				1.00
20	40187308	WIRE PRESSER BASE				1.00
21	NS6620310SP	NUT 3/16-32				2.00
22	RE0500000K0	E-RING				2.00
23	22920201	RETURN SPRING				1.00
24	22920409	THREAD RELEASE PIN SPRING				1.00
25	22907703	PRESSER GUIDE BAR				1.00
26	22920300	THREAD RELEASE SUPPORTING PIN				1.00
27	CQ202000000	OIL WICK				0.15
28	40184541	THREAD_RELEASE_WIRE_ASM				1.00
29	22920102	TENSION RELEASE SHAFT				1.00
30	22907554	PRESSER SPRING REGULATOR ASM.				1.00
31	22907604	PRESSER SPRING REGULATOR NUT		*		1.00
32	22907505	PRESSER SPRING REGULATOR		*		1.00
33	22907406	PRESSER SPRING				1.00
34	40098388	PRESSER BAR GUIDE BRACKET				1.00
35	40017805	PRESSER BAR				1.00
36	22907307	THREAD GUIDE				1.00
37	SS8660810TP	SCREW 1/4-40 L=8				1.00
38	SS6090910SP	SCREW 9/64-40 L=9				2.00
39	22908354	KNEE LIFTING CROSS ROD ASM.				1.00
40	22908156	LIFTING LINK ASM.		*		1.00
41	RE0500000K0	E-RING		*		1.00
42	22908008	LIFTING PLATE		*		1.00
43	RE0500000K0	E-RING		*		1.00
44	22908305	KNEE LIFTER SIDE ROD		*		1.00
45	11243763	PRESSER LIFTING DEVICE ASM.	OPTIONAL PARTS			1.00
46	WP0482086SD	WASHER 4.8X11.5X2		*		1.00
47	23611106	HAND LIFTER		*		1.00
48	11244209	STOPPER BASE		*		1.00
49	23610652	STOPPER SCREW ASM.		*		1.00
50	11244019	STOPPER COLLAR		*		1.00

51	23610702	STOPPER SCREW NUT		*		1.00
52	11433802	SET SCREW		*		1.00
53	BT1000651EB	POLYURETHANE TUBE				0.22
54	HX00065000A	CABLE CLIP				2.00
55	SM4040885SP	SCREW				1.00

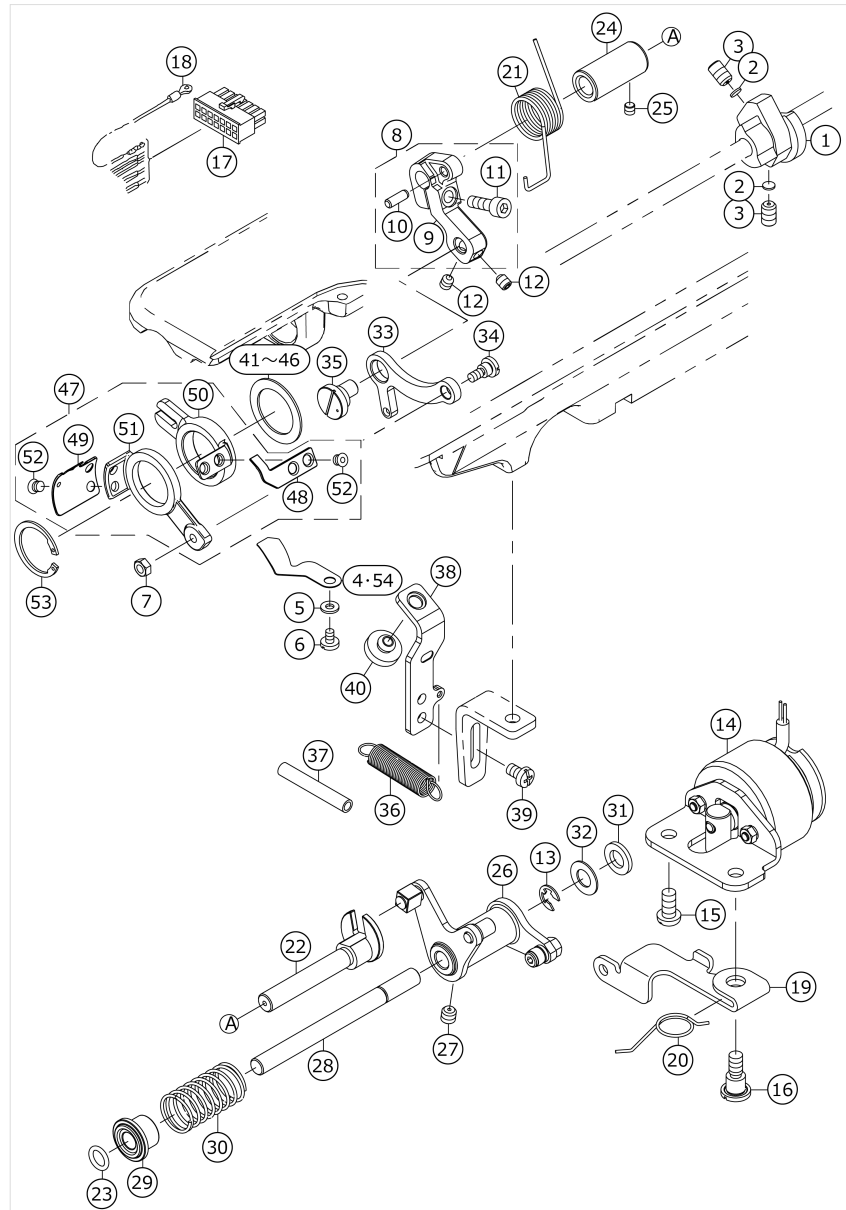
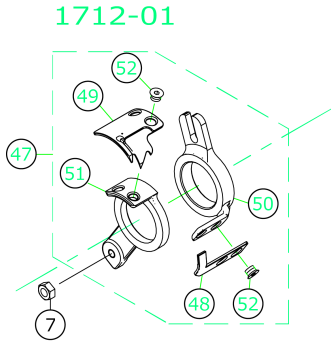
FEED MECHANISM COMPONENTS



No.	品番	品名	備考	子部品	消耗品	個数
1	22911408	FEED REGULATOR CONNCTING ROD				1.00
2	22911507	WALKING FOOT PIN C				1.00
3	SS6090670TP	SCREW 9/64-40 L=6				2.00
4	22911606	FEED REGULATOR				1.00
5	SS6121860SP	SCREW 3/16-28 L=18				1.00
6	SS7120770SH	SCREW 3/16-28 L=7				1.00
7	22911804	FEED REGULATOR SCREW				1.00
8	22912109	FEED REGULATOR PIN SPRING				1.00
9	22912000	FEED REGULATOR PIN				1.00
10	22940506	FEED DIAL				1.00
11	22910251	CONNECTING ROD ASM.				1.00
12	22913859	ROCKER SHAFT CONNECTING ROD B ASM.	ACCORDING TO D ESTINATIONS			1.00
13	22911101	WALKING FOOT PIN C		*		1.00
14	SS6090620TP	SCREW		*		1.00
15	22910202	ROCKER SHAFT CONNECTING ROD		*		1.00
16	22913800	ROCKER SHAFT CONNECTING ROD B	ACCORDING TO D ESTINATIONS	*		1.00
17	13887005	THRUST WASHER				1.00
18	RE0500000K0	E-RING				1.00
19	22912257	FEED REVERSE ARM ASM.				1.00
20	22912505	FEED REVERSE ARM SCREW				1.00
21	RE0500000K0	E-RING				1.00
22	11037405	SPRING				1.00
23	11009800	FEED REGULATOR BUSHING				1.00
24	22910905	WALKING FOOT PIN A				2.00
25	40089548	CONNECTING LINK B				2.00
26	40093417	CONNECTING LINK A				2.00
27	22910459	FEED ADJUSTING LINK ASM.				1.00
28	22910806	ADJUST LINK FULCRUM SHAFT A				1.00
29	SS6151220SP	SCREW 15/64-28 L=11.5				2.00
30	SS6090620TP	SCREW				2.00
31	40125485	FEED_BASE_SHAFT				1.00
32	RC0150001KP	RETAINING RING 13.8				1.00
33	B1613012I00	FEED DOG I				1.00
34	SS4080620TP	SCREW 1/8-44 L=6				2.00
35	22940753	FEED BAR ASM.				1.00
36	22941306	REGULATOR LINK SPRING HOOK				1.00
37	SS4110515SP	SCREW 11/64-40 L=5				2.00
38	22913701	FEED SPRING HOOK				1.00
39	40156684	FEED ROCKER SHAFT				1.00
40	22911002	WALKING FOOT PIN B				1.00
41	SS6090620TP	SCREW				1.00
42	NS6680410SP	NUT 9/32-28				1.00
43	40110379	ASSY_FEED_ROCKER_ARM				1.00
44	SS6121610SP	SCREW 3/16-28 L=15.5		*		1.00
45	40109422	FEED_ARM_ASM				1.00
46	SS7121610SP	SCREW 3/16-28 L=15.5		*		1.00
47	SD1000801SH	HINGE SCREW D=10 H=8				1.00
48	40186644	FEED_DRIVING_SHAFT				1.00

49	40137504	THRUST_COLLAR_ASM				1.00
50	SS8660610TP	SCREW 1/4-40 L=6		*		2.00
51	40184536	FEED_ROCKER_SHAFT_METAL				1.00
52	40111897	BEARING	ACCORDING TO D ESTINATIONS			1.00
53	SS7110740TP	SCREW 11/64-40 L=7				1.00
54	RC0150001KP	RETAINING RING 13.8				1.00
55	22940654	FEED ROCKER ASM.				1.00
56	SS7121410TP	SCREW 3/16-28 L=14		*		1.00
57	WP0480856SP	WASHER 4.8X8.4X0.8		*		1.00
58	22915359	DRIVING SHAFT CRANK ASM.				1.00
59	SS7111120SP	SCREW 11/64-40 L=10.5		*		1.00
60	40184533	FEED LEVER				1.00
61	22888507	OIL SEAL				1.00
62	40137504	THRUST_COLLAR_ASM				1.00
63	SS8660610TP	SCREW 1/4-40 L=6		*		2.00
64	40156758	FEED SHAFT RUBBER				2.00
65	TA0950806R0	RUBBER PLUG				1.00
66	40029963	OIL SEAL				1.00
67	40186209	THRUST_WASHER_B				1.00
68	40184531	REVERSE_FEED_LEVER_SHAFT				1.00
69	40184535	REVERSE_FEED_LEVER_SHAFT_METAL				1.00
70	WP0611626SP	WASHER 15X6X1.6				1.00
71	22887905	BUSHING,REAR				1.00
72	40190446	ASSY CONDENSE LINK				1.00
73	22915003	CONNECTING ROD				1.00
74	RO092270200	RUBBER RING				1.00
75	22913008	FEED ROCKER SHAFT BUSHING				1.00
76	40184537	REVERSE_FEED_LEVER_SPRING				1.00
77	SS7620750SP	SCREW 3/16-32 L=6.5				1.00
78	TA2351004R0	RUBBER PLUG				1.00
79	40029963	OIL SEAL				1.00
80	40133950	FEED_DOG_M	ACCORDING TO D ESTINATIONS			1.00
81	RO133170100	RUBBER RING				2.00
82	22953400	RUBBER PLUNGER				2.00
83	40190682	RUBBER				1.00
84	40010395	ADJUSTING LINK FULCRUM SHAFT B				1.00

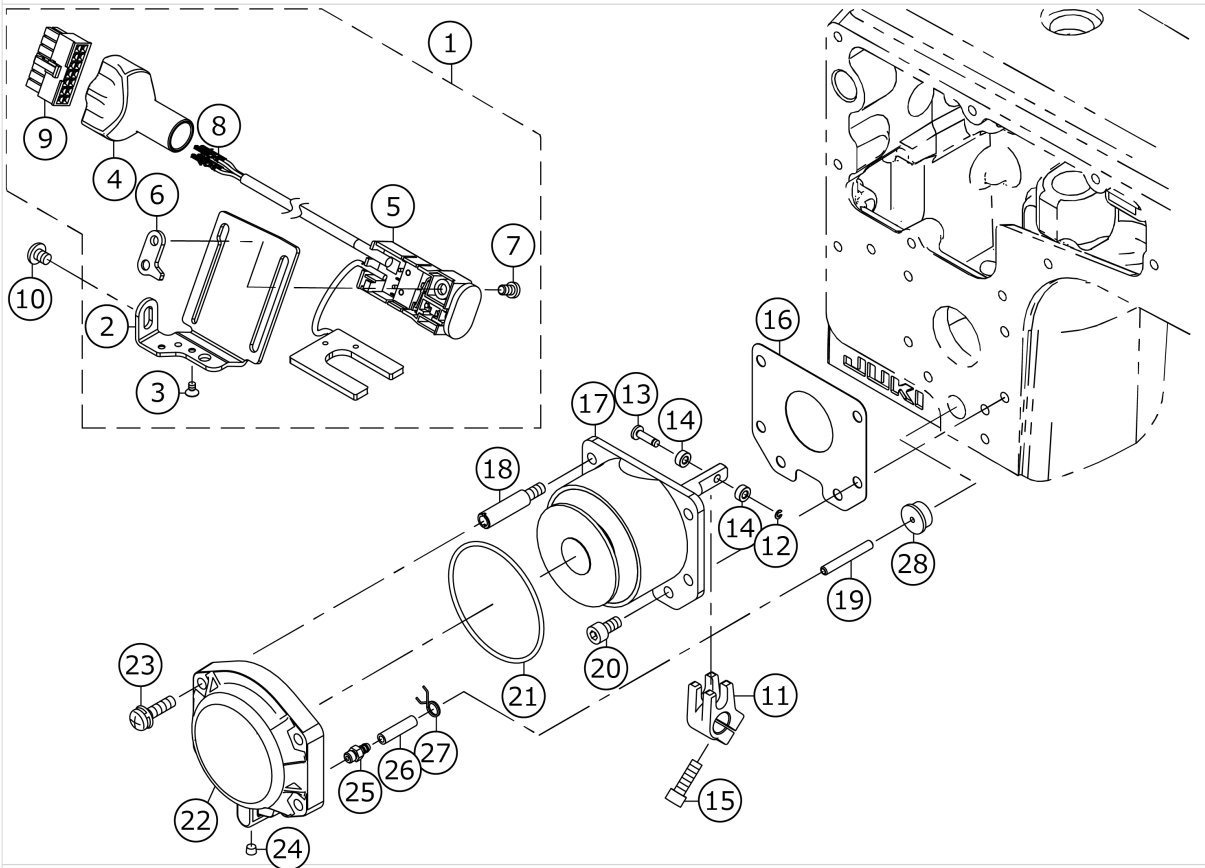
THREAD TRIMMER COMPONENTS



No.	品番	品名	備考	子部品	消耗品	個数
1	40196923	THREAD_TRIMMER_CAM				1.00
2	40127153	SPACER				2.00
3	SS8661012TP	SCREW				2.00
4	40190553	LOWER THREAD FINGER	TYPE H			1.00
5	WP0371016SD	WASHER 3.7X8X1				1.00
6	SS7090610SP	SCREW 9/64-40 L=6				1.00
7	NM6040001SC	NUT M4X0.7 TYPE1				1.00
8	40194939	ASSY THREAD TRIMMER ARM				1.00
9	40190558	THREAD_TRIMMER_ARM		*		1.00
10	40172479	THREAD_TRIMMER_ARM_PIN		*		1.00
11	SM6051602TP	SCREW M5X0.8 L=16		*		1.00
12	SM80506A2TP	SCREW M5 L=6				2.00
13	RE0600000K0	E-RING 6				1.00
14	40186203	THREAD_TRIMMER_SOLENOID_ASM				1.00
15	SS4151215SP	SCREW 15/64-28 L=12				1.00
16	SD0850751SP	HINGE SCREW D=8.50 H=7.5				1.00
17	HK034610140	HOUSING 14P				1.00
18	40112907	GROUND WIRE ASM				1.00
19	40184558	THREAD_RELEASE_LEVER				1.00
20	40127190	RETURN_SPRING				1.00
21	40127164	SPRING				1.00
22	40187734	FORKED_SHAFT				1.00
23	RO078190100	RUBBER RING				1.00
24	40184557	FORKED_SHAFT_BUSH				1.00
25	SS8110422TP	SCREW 11/64-40 L=4				1.00
26	40127168	THREAD_TRIMMER_CAM_LEVER_ASSY				1.00
27	SS8660612TP	SCREW 1/4-40 L=6				1.00
28	40127180	THREAD_TRIMMER_CAMLEVER_SHAFT				1.00
29	40187306	THREAD TRIMMER SPRING COLLAR				1.00
30	40127182	SPRING				1.00
31	40127183	CUSHION				1.00
32	WP0820816SD	WASHER 8.2X16X0.8				1.00
33	40190557	THREAD TRIMMER ROD				1.00
34	SD0600406TP	SHOULDER SCREW				1.00
35	40172480	TRIMMER_ADJUSINGT_PIN				1.00
36	40190559	TRIMMER BACK SPRING				1.00
37	40178658	PIPE				0.04
38	40196831	RUBBER STOPPER PLATE				1.00
39	SM4050855SP	SCREW				2.00
40	B1116210D00	FRAME SUPPORT RUBBER				1.00
41	11419504	THRUST COLLAR, A	SELECTIVE PARTS			1.00
42	11419603	THRUST COLLAR, B	SELECTIVE PARTS			1.00
43	11419702	THRUST COLLAR, C	SELECTIVE PARTS			1.00
44	11419801	THRUST COLLAR, D	SELECTIVE PARTS			1.00
45	11419900	THRUST COLLAR, E	SELECTIVE PARTS			1.00

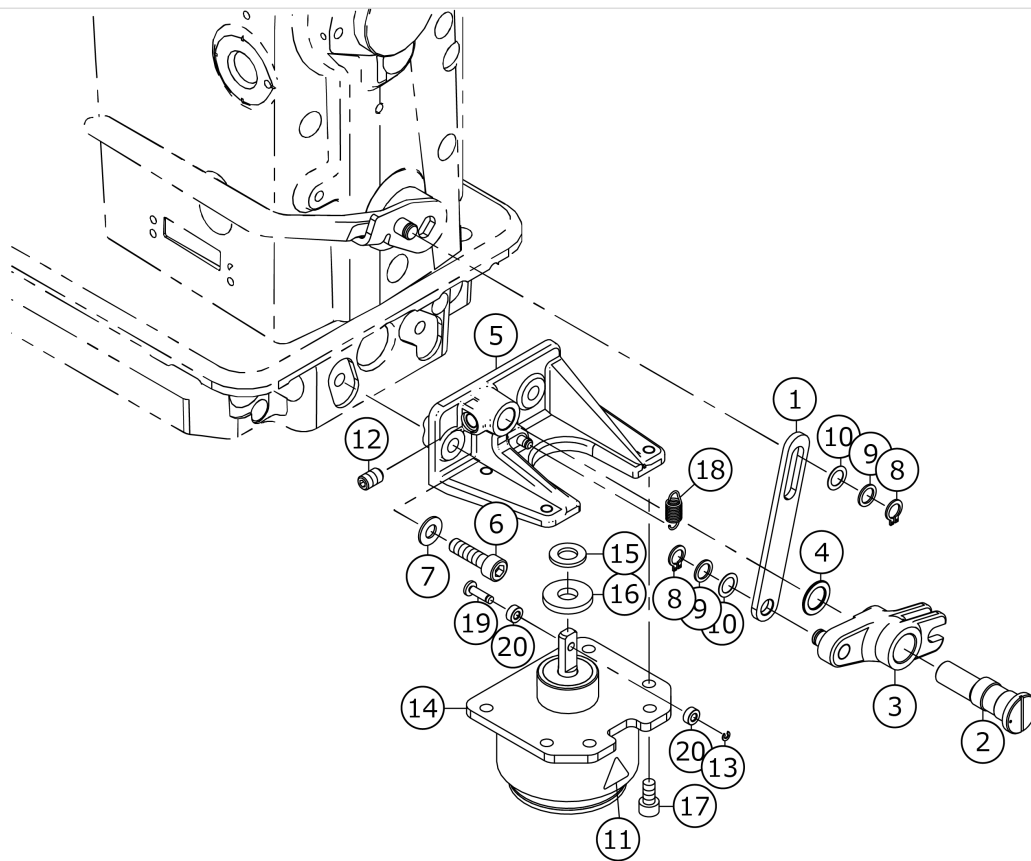
46	40174612	SPACER				1.00
47	40194932	KNIFE UNIT				1.00
48	40195552	THREAD TRIMMER KNIFE H		*		1.00
49	40195289	MOVING KNIF		*		1.00
50	40190556	THREAD TRIMMER BASE		*		1.00
51	40190555	MOVING KNIFE BASE		*		1.00
52	11420601	SCREW		*		4.00
53	RC2651218KP	RETAINING RING				1.00
54	40200018	LOWER THREAD FINGER				1.00

AUTOMATIC REVERSE FEED COMPONENTS



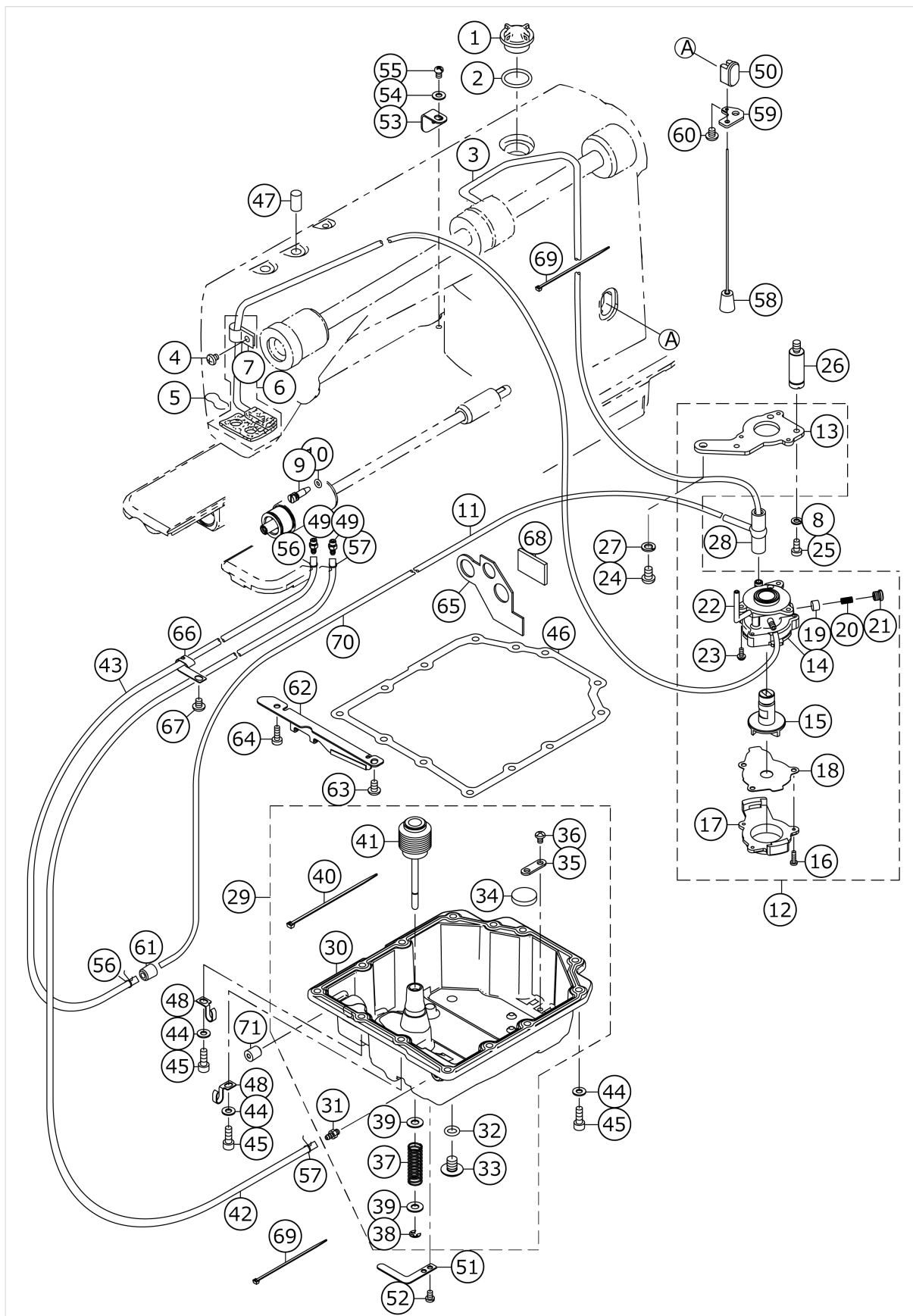
No.	品番	品名	備考	子部品	消耗品	個数
1	40148382	LED_BT_SWITCH_ASSY				1.00
2	40139771	LED_BASE		*		1.00
3	40140191	LED_SCREW		*		2.00
4	40140306	CONNECTOR_COVER		*		1.00
5	40149069	LED_BT_SWITCH		*		1.00
6	23632102	REVERSE FEED SWITCH BASE GUIDE		*		1.00
7	SS7110740TP	SCREW 11/64-40 L=7		*		1.00
8	HK03464000B	PIN CONTACT		*		4.00
9	HK034610140	HOUSING 14P		*		1.00
10	SS4120615SP	SCREW 3/16-28 L=6				1.00
11	40184562	REVERSE_FEED_ARM				1.00
12	RC0260415K0	C-RING				1.00
13	11217114	ROLLER SHAFT				1.00
14	11217213	ROLLER				2.00
15	SM6051602TP	SCREW M5X0.8 L=16				1.00
16	40184560	REVERSE_FEED_SOLENOID_PACKING				1.00
17	40198464	REVERSE_FEED_SOLENOID				1.00
18	40187304	STUD				4.00
19	40186847	REVERSE FEED SOLENOID PIPE				1.00
20	SM6051002TP	SCREW M5X0.8 L=10				2.00
21	RO555200200	O-RING				1.00
22	40187307	SOLENOID CAP				1.00
23	SL4052091SC	SCREW M5X0.8 L=20				4.00
24	TA0400301M0	PLUG D=4X4.5 L=3				1.00
25	SQ2050453MZ	CONNECTING SCREW				1.00
26	23630007	TUBE				0.02
27	23629306	PIPE STOPPER A				1.00
28	B3510205000	RUBBER PLUG				1.00

CONDENSE COMPONENTS



No.	品番	品名	備考	子部品	消耗品	個数
1	40190435	CONDENSE ROD				1.00
2	40190440	CONDENSE ARM SHAFT				1.00
3	40190450	ASSY CONDENSE ARM				1.00
4	10109700	THRUST WASHER, A				1.00
5	40194934	ASSY CONDENSE BASE				1.00
6	SM6062502TP	SCREW M6 L=25				2.00
7	WP0641600SC	WASHEW 6.4X12.5X1.6				2.00
8	RC0650811KP	C-RING 7(6.5)				2.00
9	40090529	TAKE_UP_CRANK_SHAFT_WASHER_B				2.00
10	WP0720316RZ	WASHER 7.2X11X0.25				2.00
11	CM300300001	SEAL				1.00
12	SS8661012TP	SCREW				1.00
13	RC0260415K0	C-RING				1.00
14	40190444	CONDENSE SOLENOID				1.00
15	WP0841600SD	WASHER M8				1.00
16	D6056555B00	RUBBER CUSHION (B)				1.00
17	SM6051002TP	SCREW M5X0.8 L=10				4.00
18	40190451	CONDENSE SPRING				1.00
19	11217114	ROLLER SHAFT				1.00
20	11217213	ROLLER				2.00

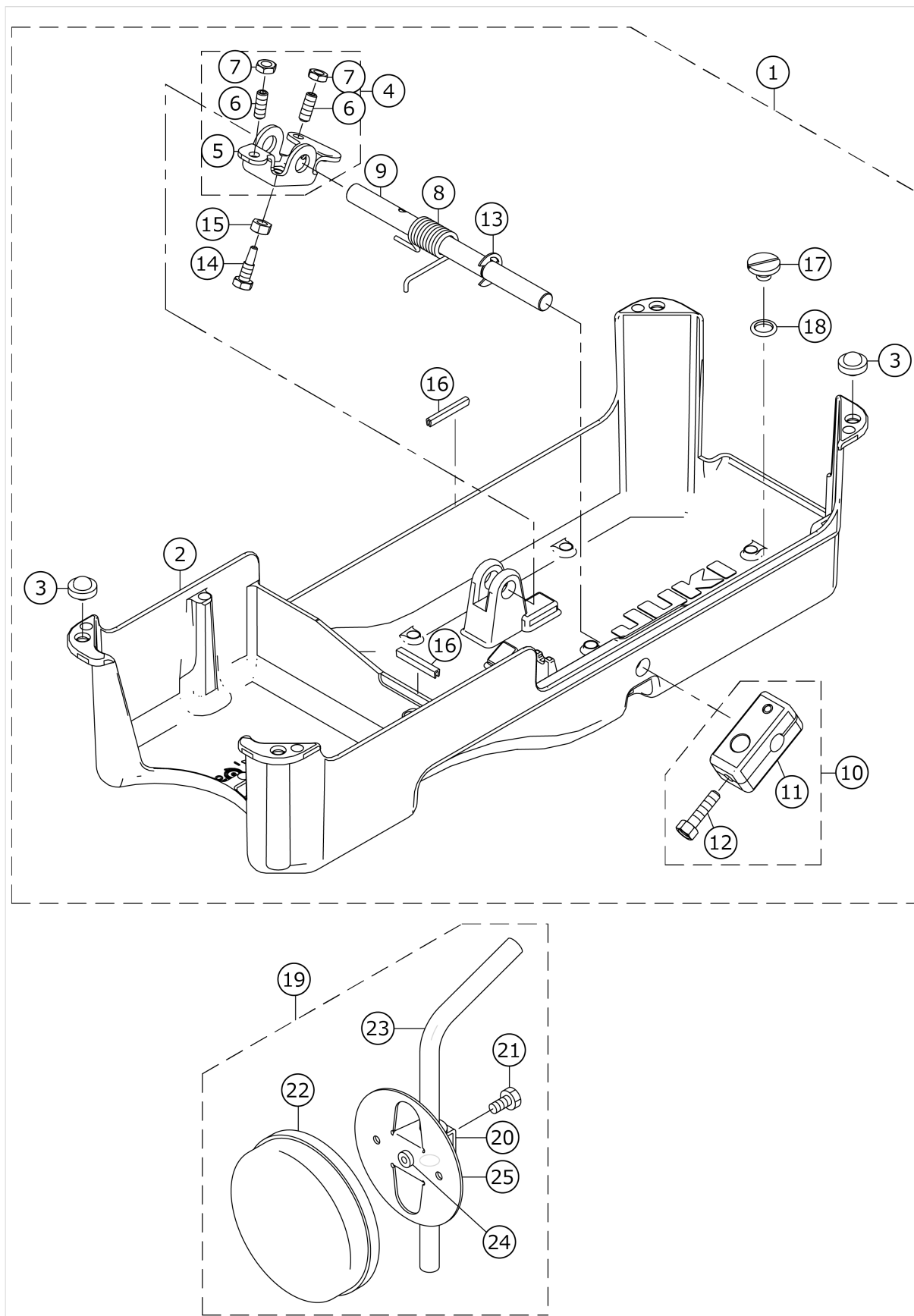
OIL LUBRICATION COMPONENTS



No.	品番	品名	備考	子部品	消耗品	個数
1	22924708	OIL SIGHT WINDOW				1.00
2	RO195240100	RUBBER RING				1.00
3	40184543	MAIN_SHAFT_OIL_TUBE				1.00
4	SS4120615SP	SCREW 3/16-28 L=6				1.00
5	22925101	OIL FELT PRESSER				1.00
6	22924153	OIL RETURN TUBE ASM.				1.00
7	22924302	HOLDER		*		1.00
8	WS0451040KP	SPRING WASHER 4.5X8.5X1				1.00
9	40037502	OIL ADJUSTING SCREW				1.00
10	RO037180100	RUBBER RING				1.00
11	40184575	HOOK_OIL_PIPE				1.00
12	22923056	LUBRICATING OIL PUMP ASM.				1.00
13	22923312	OIL PUMP INSTALLING BASE		*		1.00
14	22923015	OIL PUMP		*		1.00
15	22923700	OIL PUMP IMPELLER		*		1.00
16	SE4301041SR	SCREW D=3 L=10		*		1.00
17	22923205	LUBRICATING OIL PUMP COVER		*		1.00
18	22923809	OIL PUMP IMPELLER COVER		*		1.00
19	22923403	PLUNGER		*		1.00
20	22923601	PLUNGER SPRING		*		1.00
21	22923502	PLUNGER SCREW		*		1.00
22	22923908	HOOK DRIVING SHAFT OIL TUBE		*		1.00
23	SL4030851SF	SCREW M3 L=8		*		3.00
24	SS4150915SP	SCREW 15/64-28 L=9				1.00
25	SS6111010TP	SCREW 11/64-40 L=9.5				1.00
26	22924005	PUMP BODY STRUT				1.00
27	WS0651310KP	SPRING WASHER 6.5X11X1.3				1.00
28	22924609	RUBBER JOINT				1.00
29	40184544	OIL_SHIELD_ASSY				1.00
30	40184545	OIL_SHIELD		*		1.00
31	SQ2050453MZ	CONNECTING SCREW		*		1.00
32	13170105	RUBBER RING		*		1.00
33	13171004	DRAIN SCREW		*		1.00
34	B8228125000	OIL RESERVOIR MAGNET		*		1.00
35	40024644	MAGNET WASHER		*		1.00
36	SM4040655SP	SCREW M4 L=6		*		1.00
37	GAK30005000	SPRING		*		1.00
38	RE0400000K0	E-RING 4		*		1.00
39	WP0621016SD	WASHER 6.2X13X1		*		2.00
40	EA9500B0100	CABLE BAND		*		1.00
41	40184547	KNEE_LIFTER_PUSH_COMP		*		1.00
42	23630007	TUBE	SELECTIVE PARTS			0.10
43	23630007	TUBE	SELECTIVE PARTS			0.20
44	WP0501016SD	WASHER 5X10.5X1				13.00
45	SM6051402TP	SCREW M5X0.8 L=14				13.00
46	40184546	OIL_SHIELD_PACKING				1.00
47	11039203	FELT				1.00
48	26231902	OIL WICK PIPE STOPPER				2.00

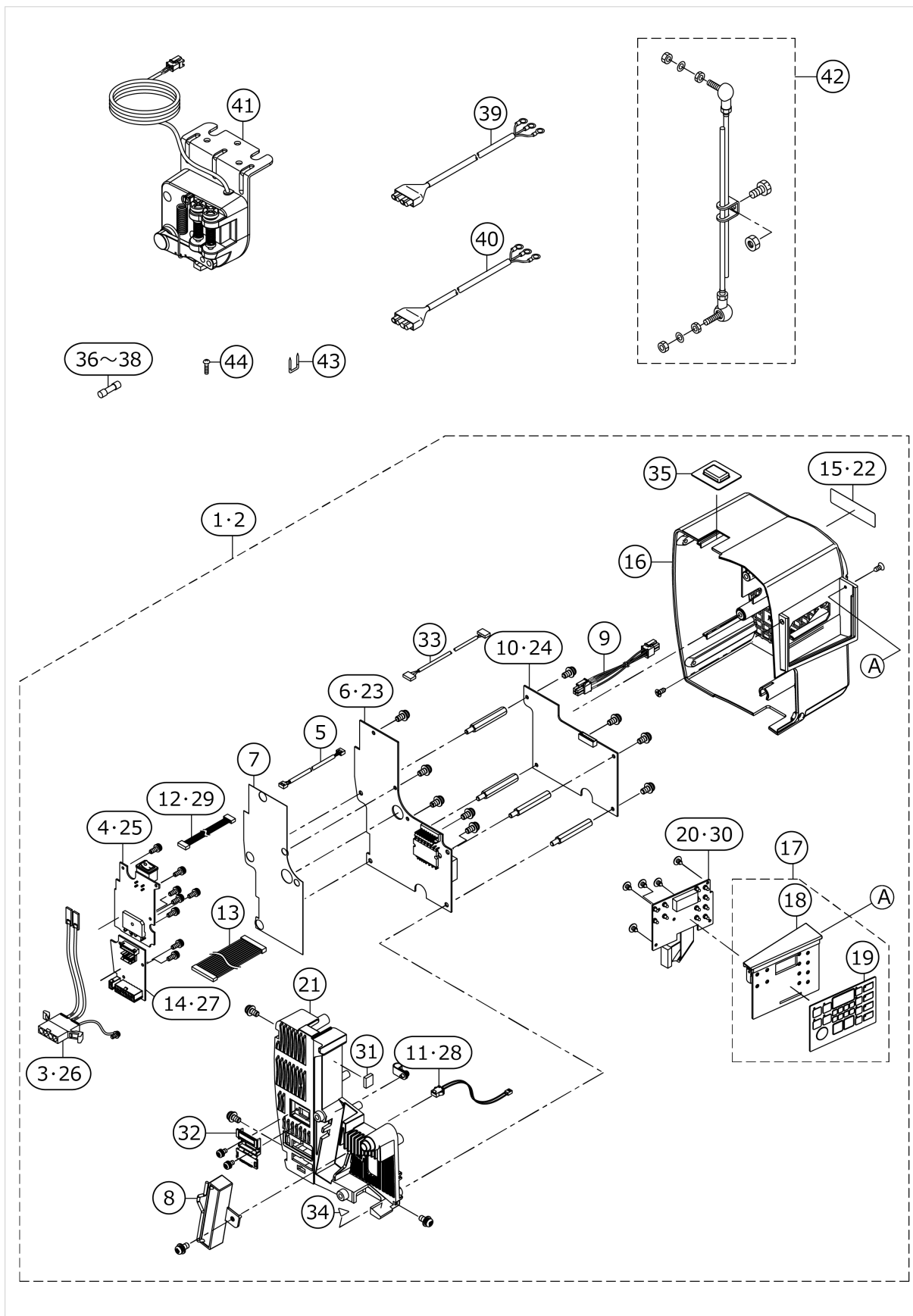
49	SQ2050453MZ	CONNECTING SCREW				2.00
50	40017215	OIL_SIGHT_WINDOW				1.00
51	13101407	LOOPER COVER PRESSER PLATE				1.00
52	SM4040655SP	SCREW M4 L=6				1.00
53	40028281	FEED_ADJUSTING_STOPPER				1.00
54	WP0501016SD	WASHER 5X10.5X1				1.00
55	SS4110615SP	SCREW 11/64-40 L=6				1.00
56	23629306	PIPE STOPPER A				2.00
57	23629306	PIPE STOPPER A				2.00
58	40184550	FLOATER_ASM				1.00
59	40184552	FLOATER_GUIDE				1.00
60	SS4120615SP	SCREW 3/16-28 L=6				1.00
61	40184553	PLUG				1.00
62	40187485	OIL BRACKET ASM				1.00
63	SM4050855SP	SCREW				1.00
64	SS6111210SP	SCREW 11/64-40 L=12				1.00
65	40187736	FELT				1.00
66	40136258	CORD HOLDER				1.00
67	SM4050655SP	SCREW M5 L=6				1.00
68	21345905	FACE ONCE THROUGH FELT				1.00
69	EA9500B0100	CABLE BAND				2.00
70	23630007	TUBE				0.20
71	40184553	PLUG				1.00

UNDER COVER COMPONENTS



No.	品番	品名	備考	子部品	消耗品	個数
1	40195566	UNDER_COVER_ASSY				1.00
2	40190445	UNDER_COVER_ADD		*		1.00
3	B1116210D00	FRAME SUPPORT RUBBER		*		4.00
4	40156725	KNEE LIFTER ROTATION ARM ASM.		*		1.00
5	22932107	KNEE LIFTER ROTATING ARM		*		1.00
6	SM8061612TP	SCREW M6X16		*		2.00
7	NM6060003SC	NUT M6		*		2.00
8	40156726	KNEE LIFTER SPRING		*		1.00
9	40101541	KNEE_PRESS_CROSS_SHAFT		*		1.00
10	22932453	BRACKET ASM.		*		1.00
11	22932404	BRACKET		*		1.00
12	22934707	SCREW		*		2.00
13	RE1000000K0	E-RING 10		*		1.00
14	SM9061853SR	SCREW M6 L=17.5		*		1.00
15	NM6060001SE	NUT M6		*		1.00
16	HX00669000A	GROMMET		*		2.00
17	SS6700710SH	SCREW 5/16-24 L=7		*		1.00
18	RO098240100	O-RING		*		1.00
19	22934251	KNEE PAD PLATE ASM.				1.00
20	22934301	KNEE PAD PLATE SUPPORT		*		1.00
21	SM9061203SE	SCREW M6 L=12		*		1.00
22	22934509	KNEE PAD PLATE COVER		*		1.00
23	22934608	KNEE PAD UPRIGHT SHAFT		*		1.00
24	22934400	KNEE PAD PLATE RUBBER		*		1.00
25	22934202	KNEE PAD PLATE		*		1.00

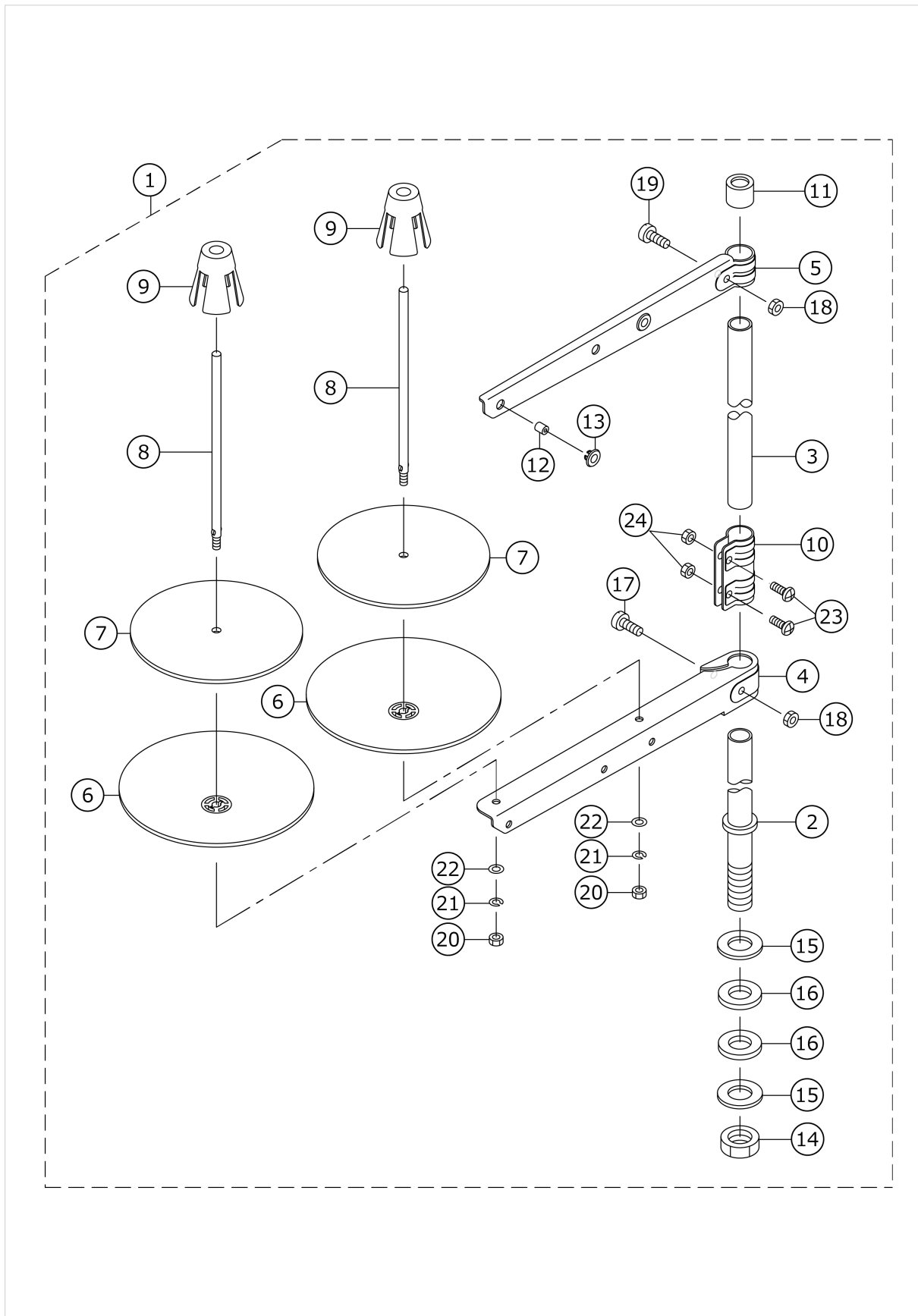
PSC UNIT



No.	品番	品名	備考	子部品	消耗品	個数
1	40190712	CONTROL BOX SET 1P 220-240V	VARIOUS NOS. F OR DESTINATION S			1.00
2	40190714	CONTROL_BOX_SET 1P 220-240V_CE	FOR CE			1.00
3	40141200	AC INPUT CORD ASSY	VARIOUS NOS. F OR DESTINATION S	*		1.00
4	40141201	FLT PCB ASSY	VARIOUS NOS. F OR DESTINATION S	*		1.00
5	40141203	INPUT CHECK CORD ASSY		*		1.00
6	40141204	PWR PCB ASSY	VARIOUS NOS. F OR DESTINATION S	*		1.00
7	40141205	PWR PCB FILM SHEET		*		1.00
8	40141206	RESISTANCE_A_ASSY		*		1.00
9	40141207	DC POWER SUPPLY CORD ASSY		*		1.00
10	40141208	CTL PCB ASSY	VARIOUS NOS. F OR DESTINATION S	*		1.00
11	40141209	PEDAL CORD ASSY	VARIOUS NOS. F OR DESTINATION S	*		1.00
12	40141210	SOL POWER CORD ASSY	VARIOUS NOS. F OR DESTINATION S	*		1.00
13	40141211	SOL SIGNAL CORD ASSY		*		1.00
14	40141212	SOL PCB ASSY	VARIOUS NOS. F OR DESTINATION S	*		1.00
15	40156706	RATING LABEL A DRAWING	VARIOUS NOS. F OR DESTINATION S	*		1.00
16	40190447	PSC COVER ADD		*		1.00
17	40141214	PANEL COVER ASSY		*		1.00
18	40141215	PANEL COVER		*		1.00
19	40141216	MEMBRANE SWITCH		*		1.00
20	40141213	PNL PCB ASSY	VARIOUS NOS. F OR DESTINATION S	*		1.00
21	40190448	FRAME ADD		*		1.00
22	40156707	RATING LABEL C DRAWING	FOR CE	*		1.00
23	40145554	PWR-CE PCB ASSY	FOR CE	*		1.00
24	40145555	CTL-CE PCB ASSY	FOR CE	*		1.00
25	40145553	FLT-CE PCB ASSY	FOR CE	*		1.00
26	40149316	AC INPUT CORD ASSY	FOR CE	*		1.00
27	40145556	SOL-CE PCB ASSY	FOR CE	*		1.00
28	40145557	PEDAL CORD CE ASSY	FOR CE	*		1.00
29	40204743	SOL POWER CORD CE ASSY	FOR CE	*		1.00
30	40145921	PNL-CE PCB ASSY	FOR CE	*		1.00

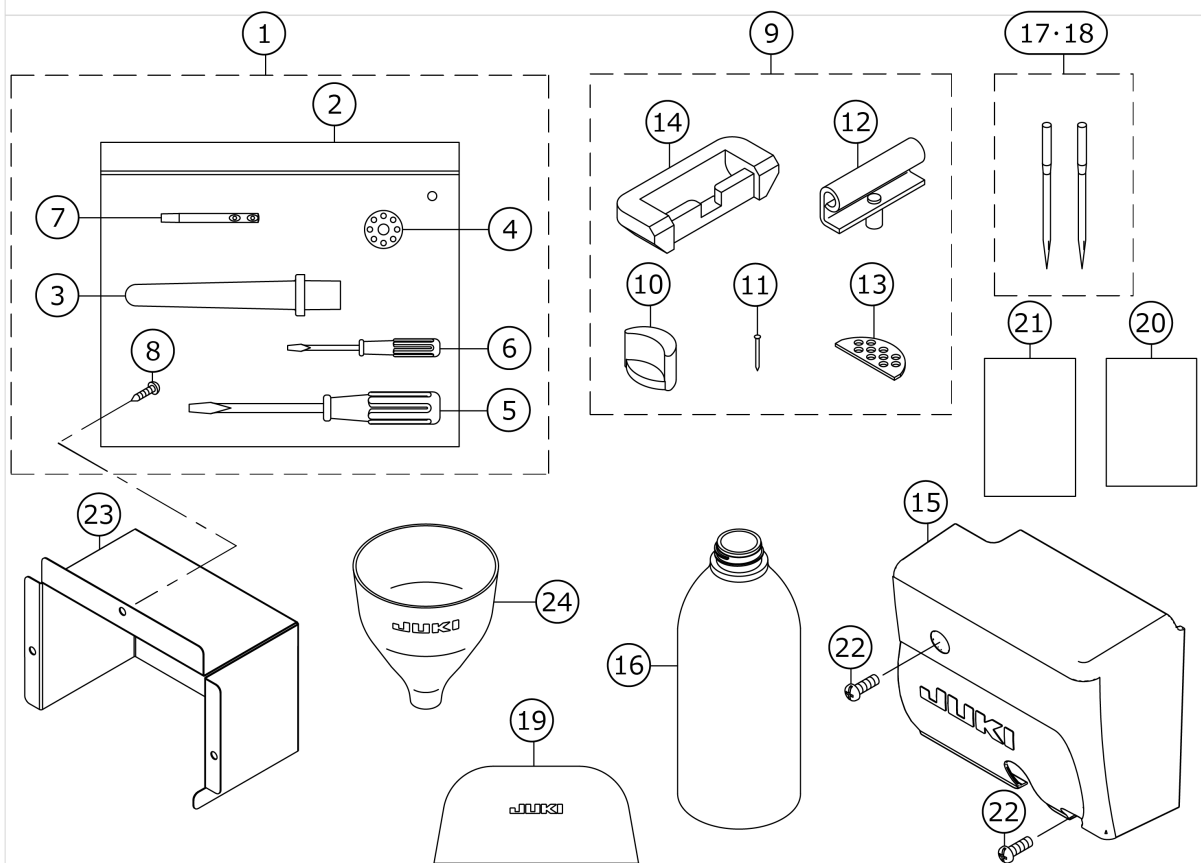
31	40145944	EMI GASKET	FOR CE	*		1.00
32	40157011	CONNECTOR COVER		*		1.00
33	40145540	PRT CORD ASSY		*		1.00
34	CM300200001	FINGER INJURY CAUTION LABEL (16)		*		1.00
35	40183785	SWITCH DUSTPROOF COVER ASSY	VARIOUS NOS. F OR DESTINATION S	*		1.00
36	40141225	SLO-BLO FUSE	VARIOUS NOS. F OR DESTINATION S			1.00
37	40141226	SLO-BLO FUSE	VARIOUS NOS. F OR DESTINATION S			1.00
38	40141227	SLO-BLO FUSE	VARIOUS NOS. F OR DESTINATION S			1.00
39	40162159	AC POWER CORD ASSY CE	FOR CE			1.00
40	40141220	AC POWER CORD ASSY	FOR CE			1.00
41	40141219	PEDAL_SENSOR_A_ASSY				1.00
42	40042134	CONNECTING_ROD_ASSY				1.00
43	40141223	CORD STAPLE	VARIOUS NOS. F OR DESTINATION S			3.00
44	40141224	SCREW				3.00

THREAD STAND COMPONENTS



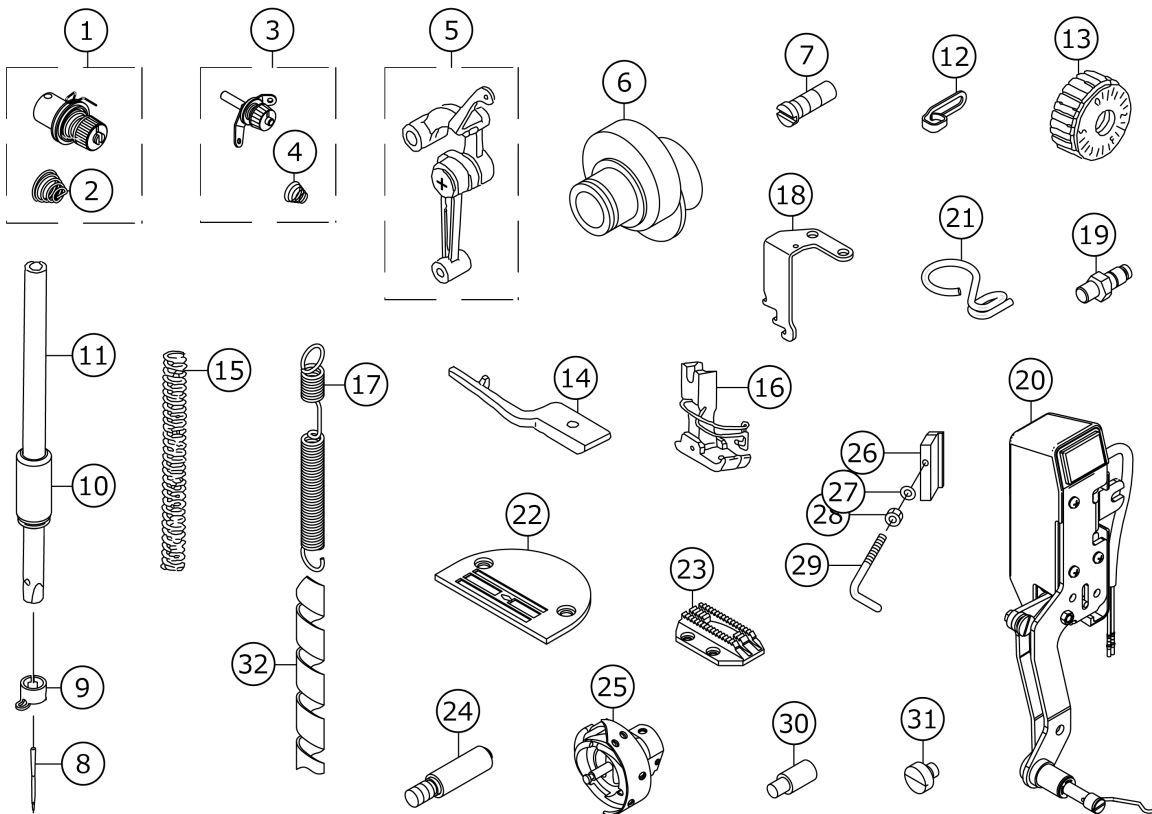
No.	品番	品名	備考	子部品	消耗品	個数
1	40096354	THREAD STAND ASM.				1.00
2	40085784	SPOOL REST ROD LOWER		*		1.00
3	40085785	SPOOL REST ROD UPPER		*		1.00
4	40085786	SPOOL REST ARM LOWER		*		1.00
5	40085787	SPOOL REST ARM UPPER		*		1.00
6	40085788	SPOOL REST		*		2.00
7	40085789	SPOOL REST CUSHION		*		2.00
8	40085790	SPOOL PIN		*		2.00
9	40085791	SPOOL RETAINER		*		2.00
10	40085792	SPOOL REST ROD JOINT		*		1.00
11	40085793	SPOOL REST ROD RUBBER CAP		*		1.00
12	40085794	THREAD GUIDE		*		2.00
13	40085795	THREAD GUIDE BUSHING		*		2.00
14	40096325	SPOOL REST ROD NUT		*		1.00
15	WP1612616SE	WASHER 16X30X2.6		*		2.00
16	40085796	SPOOL REST ROD RUBBER CUSHION		*		2.00
17	40096326	SPOOL REST ARM LOWER SCREW		*		1.00
18	NM6050001SE	NUT M5		*		2.00
19	40096327	SPOOL REST ARM UPPER SCREW		*		1.00
20	NM6050001SE	NUT M5		*		2.00
21	WS0510002KN	SPRING WASHER M5		*		2.00
22	WP0531001SC	WASHER M5		*		2.00
23	SM4051405SE	SCREW M5 L=14		*		2.00
24	NM6050001SE	NUT M5		*		2.00

ACCESSORIE PARTS COMPONENTS



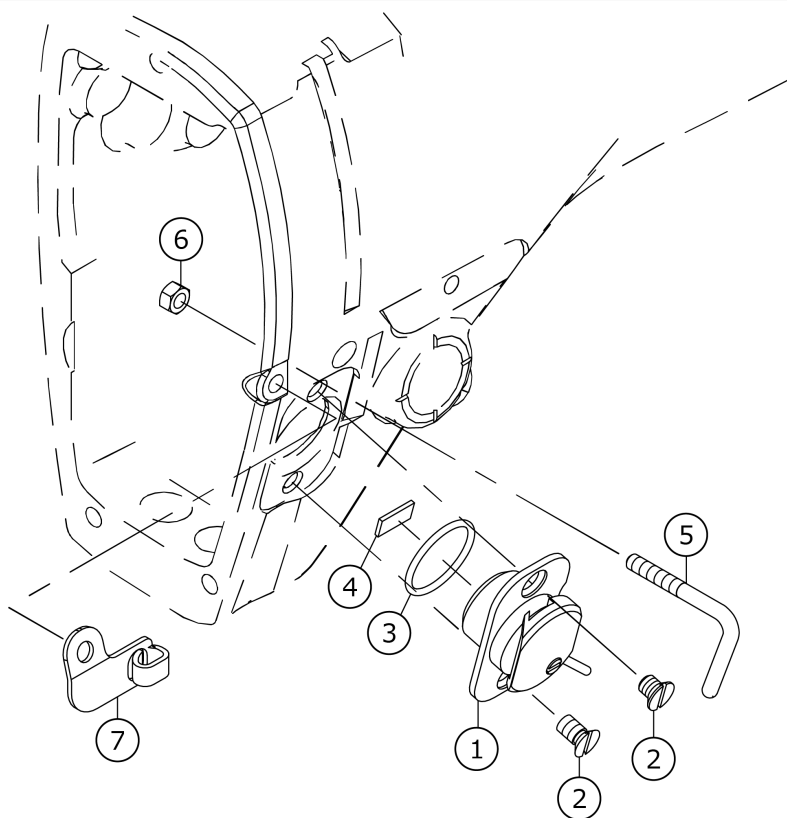
No.	品番	品名	備考	子部品	消耗品	個数
1	40195573	ACCESSORIE BAG ASSY				1.00
2	22932800	ACCESSORIE BAG		*		1.00
3	40190076	FRAME SUPPORT BAR		*		1.00
4	22932909	BOBBIN		*		1.00
5	22933105	SCREW DRIVER MIDDLE		*		1.00
6	22933204	SCREW DRIVER SMALL		*		1.00
7	22958300	NEEDLE THREAD GUIDE PIN		*		1.00
8	SK3271301SE	WOOD SCREW D=2.7 L=13		*		3.00
9	22958052	RUBBER HINGE ASM.				1.00
10	22958003	FRAME BUBBER CUSHION		*		2.00
11	22926208	NAIL		*		8.00
12	22926356	HINGE COMPL.		*		2.00
13	22926505	WASHER		*		2.00
14	22926000	RUBBER CUSHION		*		2.00
15	40187727	REVERSF FEED SOLENOID COVER				1.00
16	MML007600CA	JUKI MACHINE OIL 7	ACCORDING TO M ANUFACTURING B ASE			1.00
17	MDB100B1402	NEEDLE DBX1#14-2	ACCORDING TO M ANUFACTURING B ASE			1.00
18	MC200500902	NEEDLE 134 #90-2	ACCORDING TO M ANUFACTURING B ASE			1.00
19	40135803	HEAD COVER				1.00
20	CM600100201	WEEE INFORMATION SHEET	ACCORDING TO M ANUFACTURING B ASE			1.00
21	40186378	SAFETY_INSTRUCTION_MANUAL(EG)				1.00
22	SS4121415SP	SCREW 3/16-28 L=14				2.00
23	40190443	CONDENSE COVER				1.00
24	13160601	FUNNEL				1.00

EXCLUSIVE PARTS FOR H



No.	品番	品名	備考	子部品	消耗品	個数
1	22962054	THREAD TENSION ASM.				1.00
2	22962005	THREAD TENSION SPRING		*		1.00
3	22963458	THREAD TENSION ASM				1.00
4	22963409	THREAD TENSION SPRING		*		1.00
5	40103560	LINK THREAD TAKE-UP LEVER ASM.				1.00
6	22962351	FEED DRIVE ECCENTRIC CAM ASM.				1.00
7	B1213552000A	OIL ADJUSTING PIN				1.00
8	MDB100B2100	NEEDLE DBX1 #21				1.00
9	B1418415H00	NEEDLE BAR THREAD GUIDE				1.00
10	22970313	NEEDLE BAR BUSHING LOWER				1.00
11	22970206	NEEDLE BAR				1.00
12	11091006	ARM THREAD GUIDE (HA)				1.00
13	40101726	FEED_DIAL				1.00
14	40174353	INNER_HOOK HOLDER_H				1.00
15	B1505552000A	PRESSER SPRING				1.00
16	D1524555EBL	PRESSER FOOT ASM.				1.00
17	40190609	ADJUSTING_LINK_SPRING				1.00
18	40184565	FEED_SPRING_HOOK				1.00
19	22971204	FEED REGULATOR BASE PIN				1.00
20	40141076	WIPER_ASSY_H				1.00
21	40023223	NEEDLE BAR THREAD GUIDE				1.00
22	11400801	THROAT PLATE J				1.00
23	11403003	FEED J				1.00
24	40115888	LEVER_STOPPER_ASSY				1.00
25	11092251	HOOK ASM.				1.00
26	11403805	THREAD GUIDE C FITTING PLATE				1.00
27	WP0371016SD	WASHER 3.7X8X1				1.00
28	NS6090310SP	NUT 9/64-40				1.00
29	22972608	ARM THREAD GUIDE C				1.00
30	40010395	ADJUSTING LINK FULCRUM SHAFT B				1.00
31	SS6080320SP	SCREW 1/8-44 L= 2.5				1.00
32	HX001890000	SPIRAL TUBE				1.00

EXCLUSIVE PARTS TYPE NB



No.	品番	品名	備考	子部品	消耗品	個数
1	40190699	THREAD_NIPPER_SET				1.00
2	SS1110640TP	SCREW 11/64-40 L=5.5				2.00
3	G1164870000	SUCTION O RING				1.00
4	13403605	RUBBER_PLATE				1.00
5	40187738	ARM THREAD GUIDE				1.00
6	NS6090310SP	NUT 9/64-40				1.00
7	40187311	ARM THREAD GUIDE B				1.00

HOW TO MAKE USE OF THIS PARTS LIST

1.Explanation of codes

1)"*"mark.....means this part is changed from the previous parts book.

As to the details of the change, refer to the "List for information of change".

2)"#01".....refer to "Note" explanation at bottom of page.

2.Codes on the "Qty" column

· Each numeral indicates the number of parts required.

· "0.1" and "2.5" indicate the length (in meters) of the respective parts.

3.Parentheses mean that the corresponding part is a subpart that constructs an assembly part.

4.Dotted lines on the Figures indicate assembly parts.

5.As to the parts with marks of "☆"(consumable parts) and "◎"(optional parts)on the respective parts, it is recommended to prepare spares.

1 ."注記"欄の記号説明

1) "*"印.....前回のパーツブックに比較して今回変更された部品を意味します。

変更内容は、"変更情報リスト"を参照してください。

2) "#01".....ページ下の"注記"の説明を参照してください。

2 .数量欄の数字は、個数を表し、0.1、2.5等の数値は、長さ（単位メートル）を表します。

3 .数量欄の（ ）は、組部品を構成している子部品であることを意味します。

4 .イラストページの-----枠は、組構成であることを意味します。

5 .リストページの"☆"（消耗部品）、"◎"（オプション部品）の印がついた部品は、予備を準備しておくことをお奨めします。